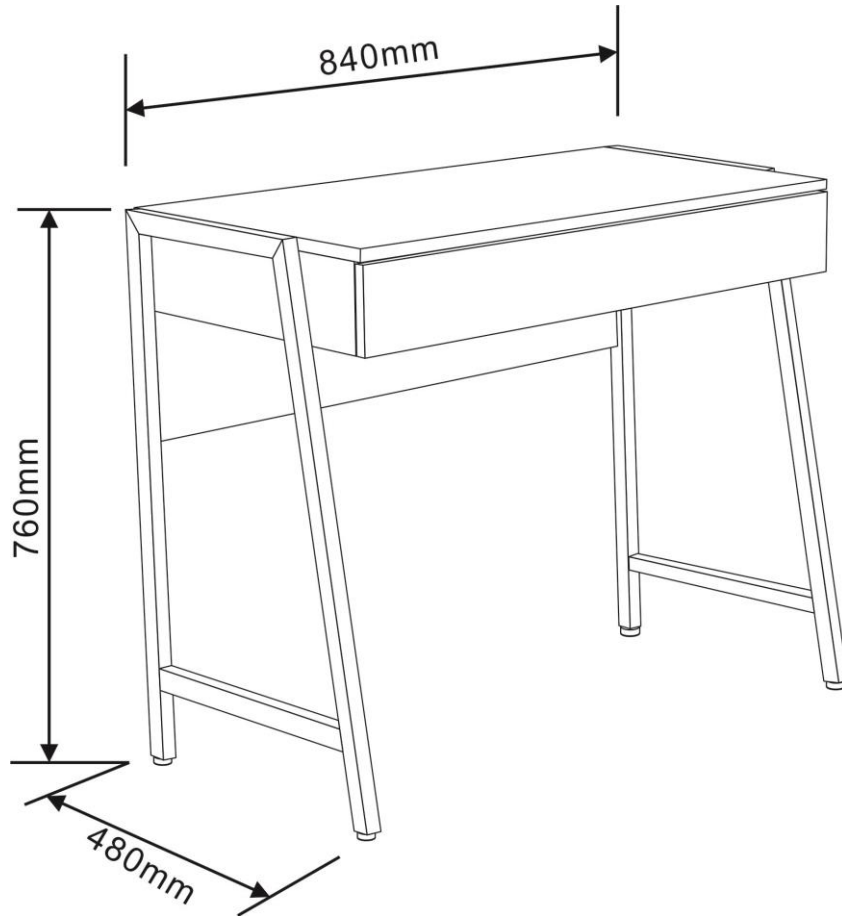


ASSEMBLY INSTRUCTION

EDGAR

1 DRAWER DESK

ITEM CODE 68430

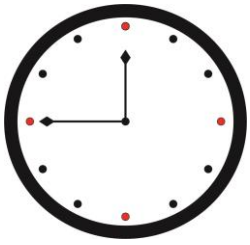
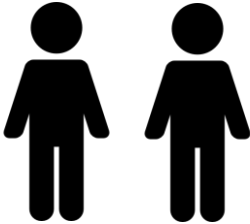
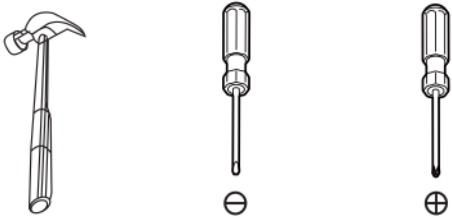


Imported by JWA Furniture Pty Ltd, Qld, Brisbane Australia.
For any assistance with assembly or for missing parts please refer to your receipt

PRE-ASSEMBLY PREPARATION

Before you start:

1. Choose a clean, level, spacious assembly area. Avoid hard surfaces that may damage the product
2. Take care when lifting. Product should be assembled as near as possible to the point of use
3. Ensure that you have all required contents for complete assembly
4. Always read the assembly instructions carefully before beginning assembly.
5. Keep all hardware parts and packaging out of reach of small children.
6. Do not over tighten the screws and bolts as this may damage the threads

		
Allow 45 min	For 2 person	Additional tools required



TIPPING WARNING





Serious or fatal injuries may occur from furniture toppling over. To help avoid this please follow the below recommendations:

- Install the provided "Tipping Kit" as per the instructions
- Never allow children to climb on or hang off of any part of this product
- Unless specifically designed to accommodate, do not set TVs or other heavy objects on top of this product







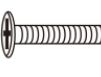
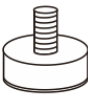


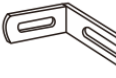
If this product has drawers:

- Place the heaviest items in lowest drawers
- Do not open more than 1 drawer at a time as this may cause the product to become unbalanced
- Do not tamper with or remove any drawer interlocking/running system

Note: The use of the provided "Tipping Kit" may reduce but not necessarily eliminate the risk of furniture toppling over. Please use this product with caution.

This is a permanent label. Do not attempt to remove!

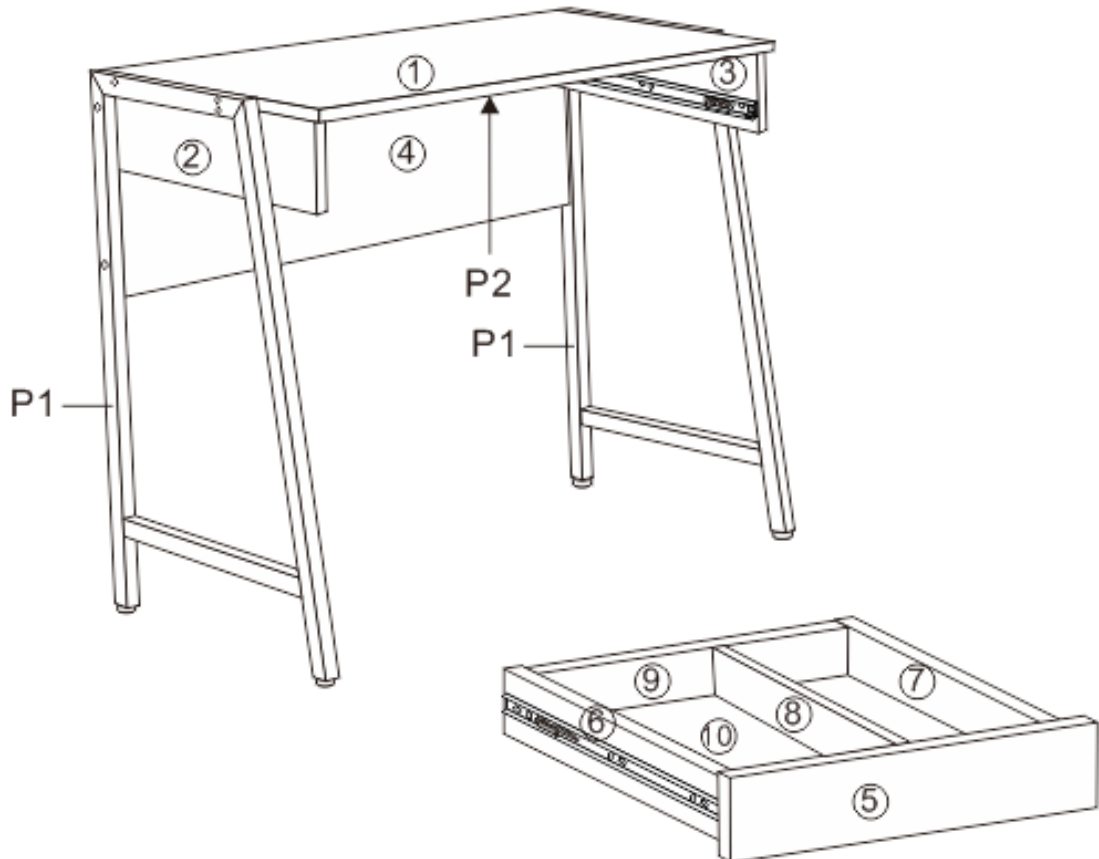
PARTS LIST

A  14pcs	B  M6X25mm 2pcs	C  M6X50mm 2pcs	D  8X30mm 4pcs
E  2pcs	F  ST3.5X12mm 8pcs	G  ST5X50mm 16pcs	H  4pcs
I  ST4X25mm 2pcs	J  2pcs	K  2pcs	

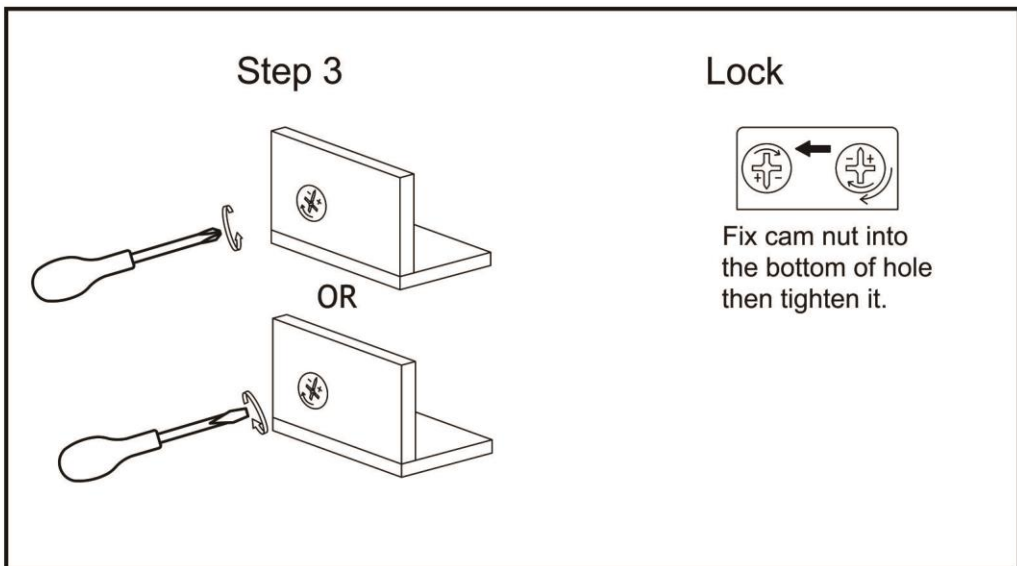
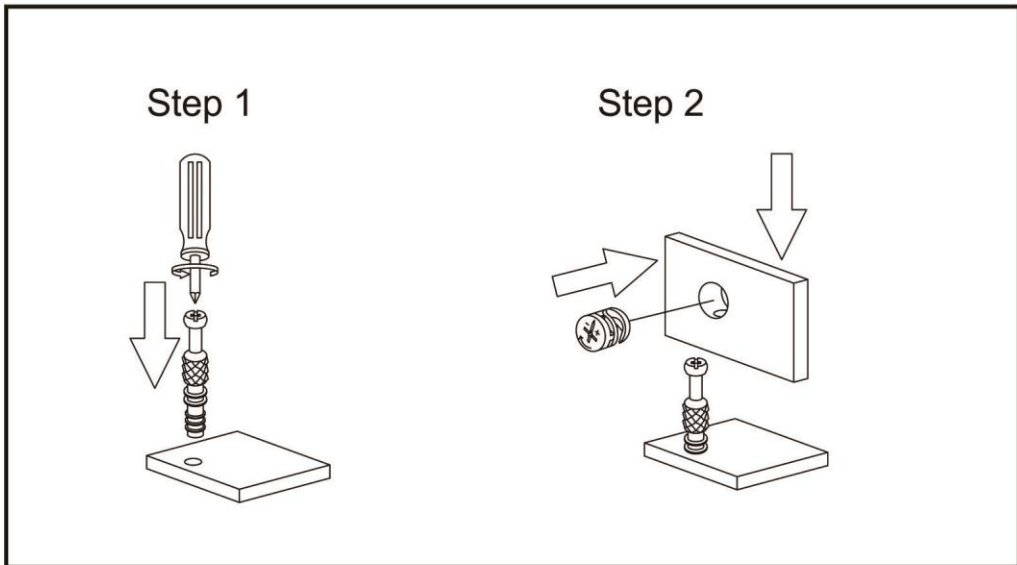
1	Desktop panel
2	Left side panel
3	Right side panel
4	Back panel

5	Drawer panel
6	Drawer left side panel
7	Drawer right side panel
8	Drawer middle panel

9	Drawer back panel
10	Drawer bottom panel
P1	Metal panel
P2	Support pipe

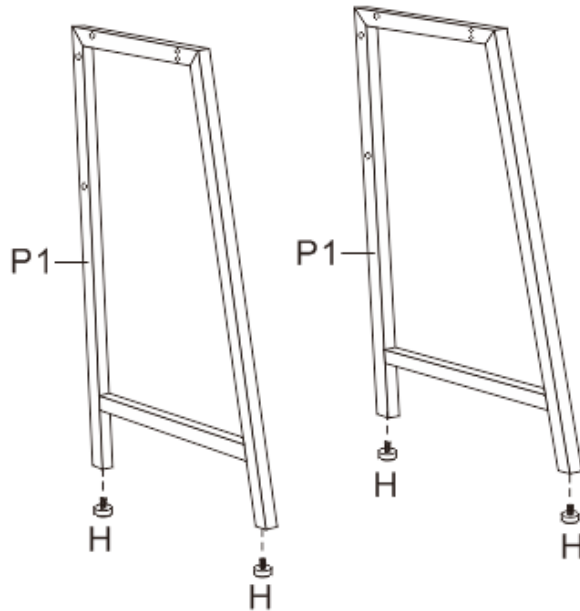


CAM LOCK INSTALL METHOD AS FOLLOWS



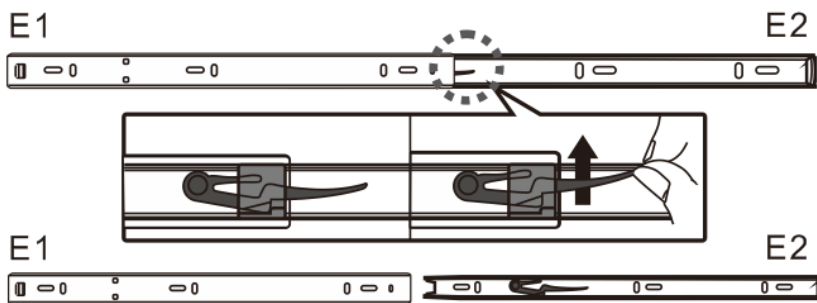
STEP 1:

Load the fitting H into the metal frame P1.



STEP 2:

Press the plastic part on the E2 and separate E1 and E2.



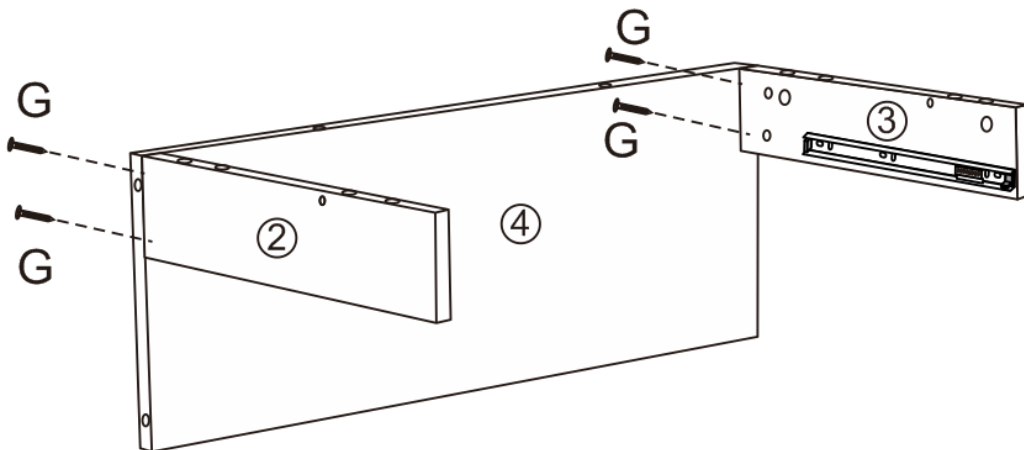
STEP 3:

The disconnected part E1 corresponds to the lead hole on panel 2 and 3 respectively, and is locked and fixed with part F; Pay attention to distinguish the opening direction of E1 parts.



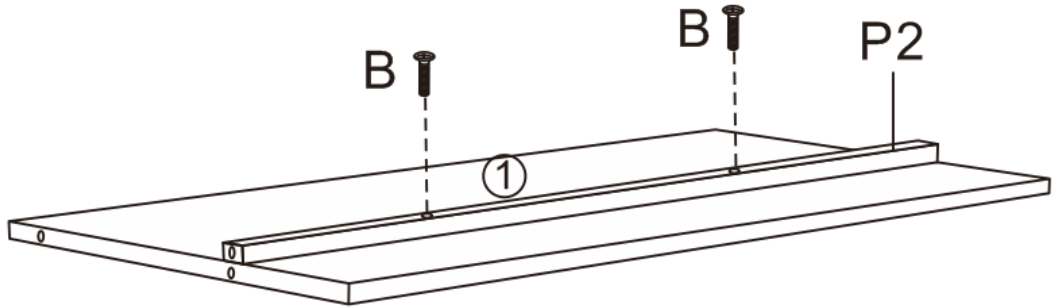
STEP 4:

Connect and lock the assembled panel 2, 3 and 4 with fitting G.



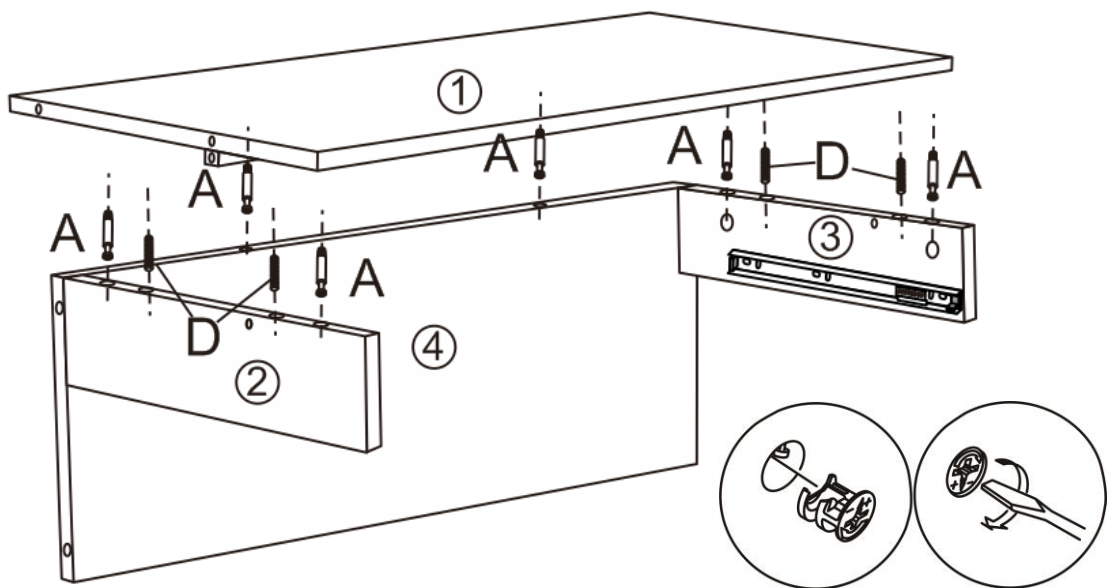
STEP 5:

Fix the metal pipe P2 on panel 1 with fitting B.



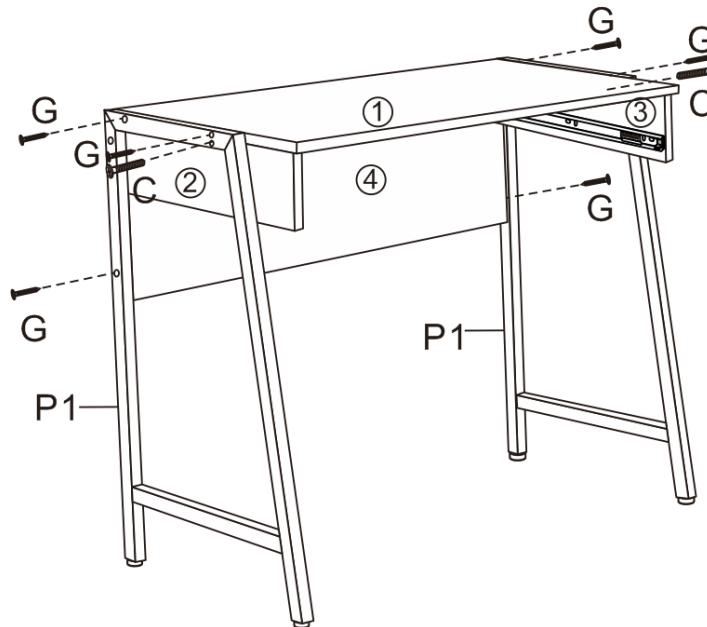
STEP 6:

Connect and fix panel 1 and panel 4 with fitting A and D.



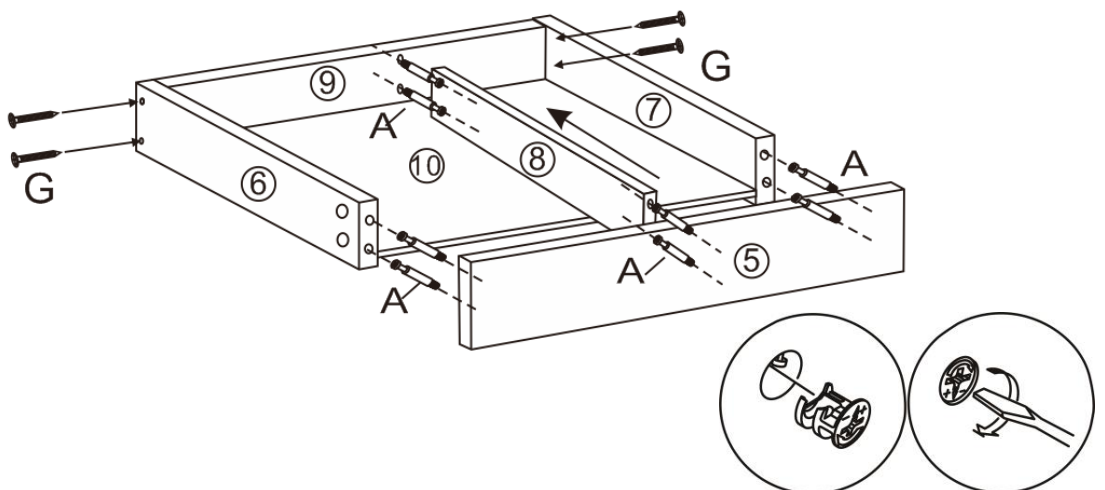
STEP 7:

Fix the metal frame P1 in the assembled panel assembly with fitting G.



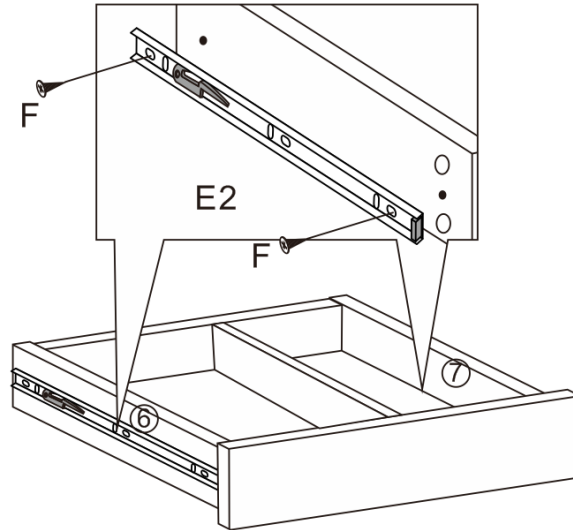
STEP 8:

- 1) Fix panel 6 and panel 7 on panel 9 with fitting G;
- 2) Load panel 10 into the corresponding slot of panel 6,7 and 9;
- 3) Connect panel 8 to panel 9 with fitting A;
- 4) Connect and fix panel 5 with panel 6,7 and 8 with fitting A.



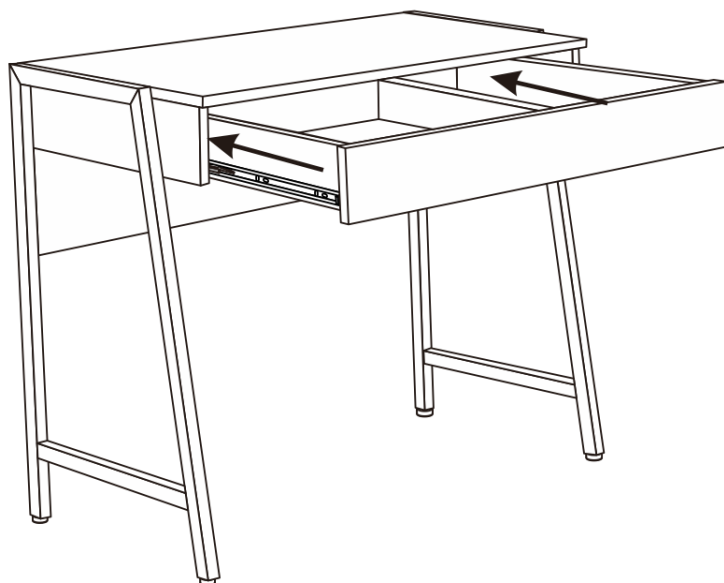
STEP 9:

Fix E2 on panel 6 and panel 7 with fitting F.



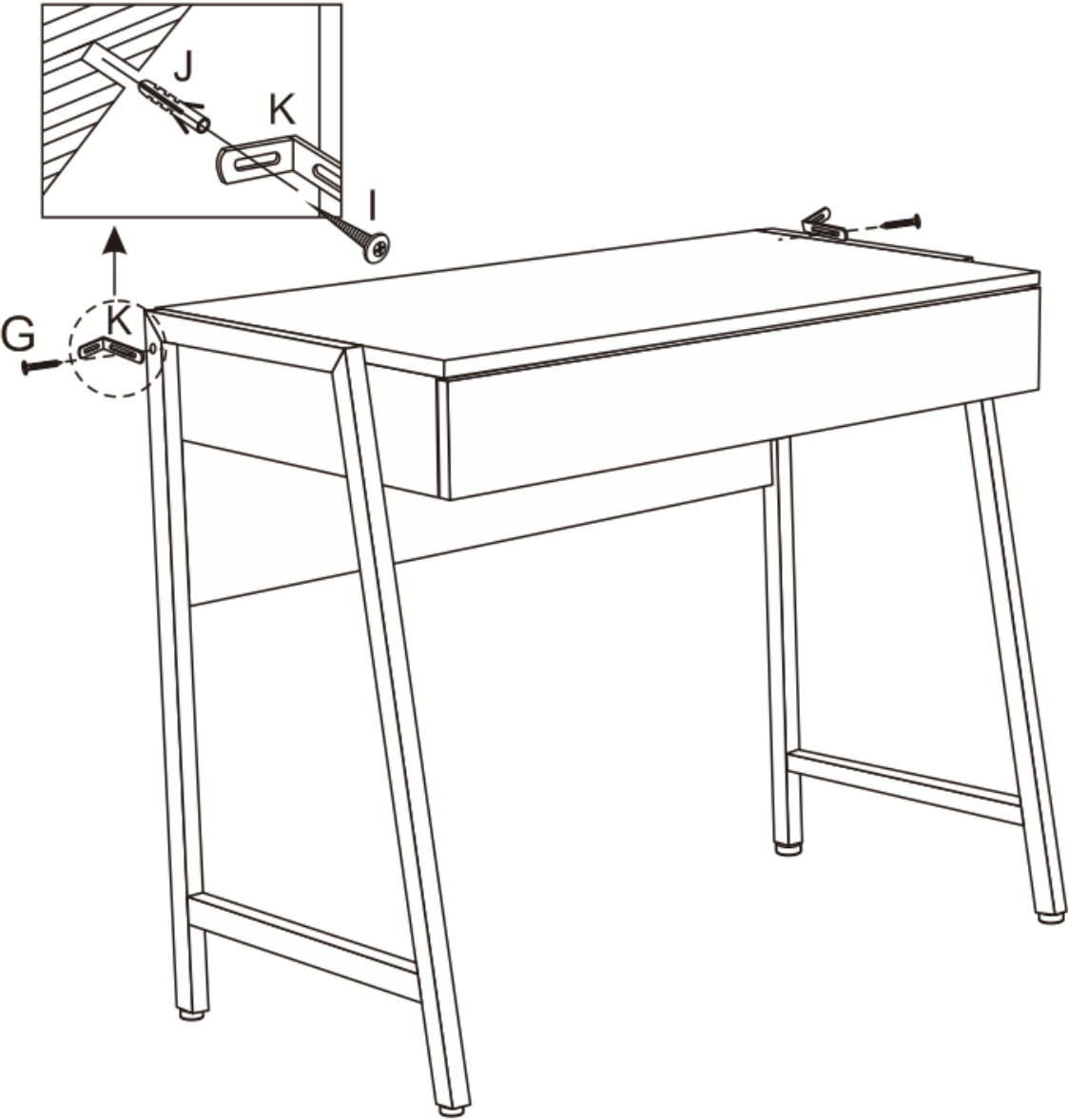
STEP 10:

Put the assembled drawers into the corresponding position of the desk.

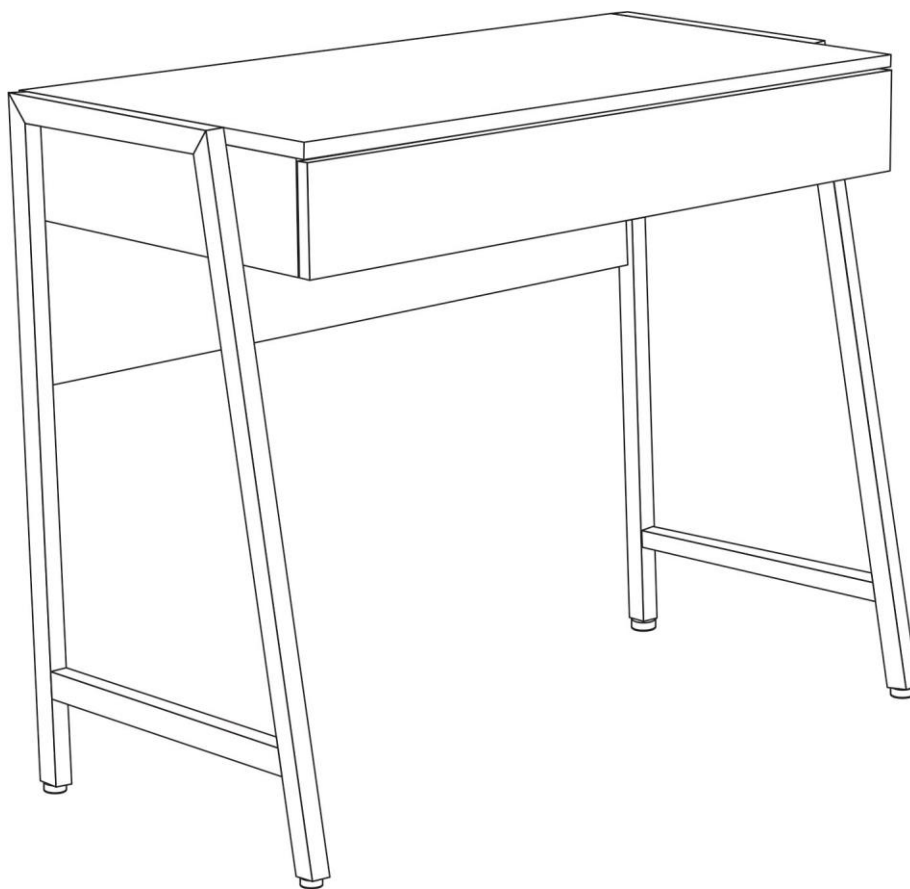


STEP 11:

Install a fall preventer.

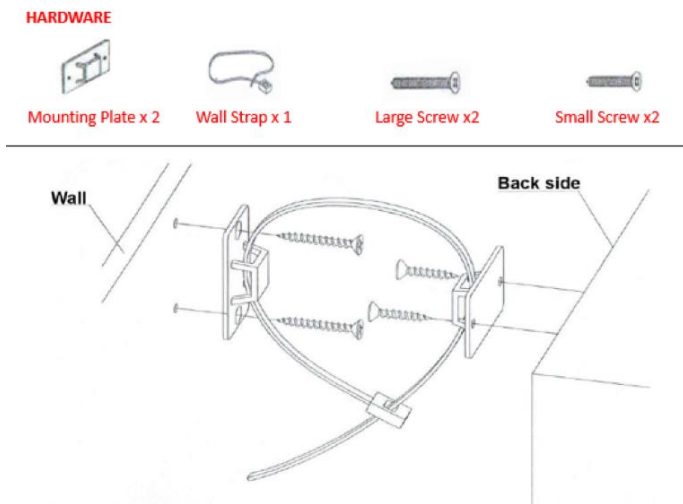


ASSEMBLY IS COMPLETE



SAFETY BRACKETS INSTRUCTIONS

1. Attach one Mounting Plate to the wall with the Large Screws. Make sure to attach the Mounting Plate into a stud. If mounting into brick or masonry you will need to acquire wall anchors.
2. Attach the second Mounting Plate to the furniture frame with the Short Screws.
3. Move the furniture to its final position. Thread a Wall Strap through the both Mounting Plates and tighten until snug. Do not over tighten.
4. Make sure that the Mounting Plates are firmly attached to the wall and furniture and that the Wall Strap is snug.



To protect your furniture, we suggest the following:

- Avoid placing your furniture in direct sunlight.
- Do not place furniture directly under windows.
- Do not place sharp materials (knife, fork, etc.) directly onto your furniture as sharp material may scrape and damage the finish.
- Do not place material with high temperature directly onto the surface of your furniture.
- Clean up spills quickly. Water left over a prolonged period of time may cause damage. Alcohol, perfume, nail polishes, aftershave and some medication may cause severe finish damage if not cleaned immediately.
- Use a clean, soft, dry, lint free absorbent cloth to clean your furniture. Do not use any detergent as they may contain ingredients that may react and damage the finish.

NOTE: If the above care advise is not adhered to your product warranty may become void